

Technical data sheet

Product features



Pot and pan washer double skin 50x60 - 400 V

Model	SAP Code	00014556
--------------	-----------------	----------



- To the product for free: 1x RM Clean+ 12 kg (00012271) and 1x RM Rinse+ 10 kg (00012273)
- Display type: ProScreen - 4 digit display + 2 LED bars
- Number of programs: 9
- Number of skin: 2
- Door clear height [mm]: 400
- Rack size [mm]: 500 x 600
- Water consumption of the washing cycle [l/basket]: 2,4-3,5
- Washing cycle time [s/basket]: 60 - 720
- Detergent and rinse pump system: ProDose - accurate dosing with a peristaltic pump
- Wash pump type: two-way - DuoFlow
- Self-cleaning cycle: Yes
- Drain filter: ArchiMedes - double filtration with overflow discharge ensures only 18% loss of clean water to waste

SAP Code	00014556	Boiler power [kW]	7.000
Net Width [mm]	600	Basin volume [l]	23
Net Depth [mm]	700	Tank power [kW]	2.100
Net Height [mm]	1290	Water consumption of the washing cycle [l/basket]	2,4-3,5
Net Weight [kg]	71.00	Washing cycle time [s/basket]	60 - 720
Power electric [kW]	9.800	Door clear height [mm]	400
Loading	400 V / 3N - 50 Hz	Rack size [mm]	500 x 600
Boiler capacity [l]	6.00	Noise of device	49,0

Technical data sheet

Technical drawing

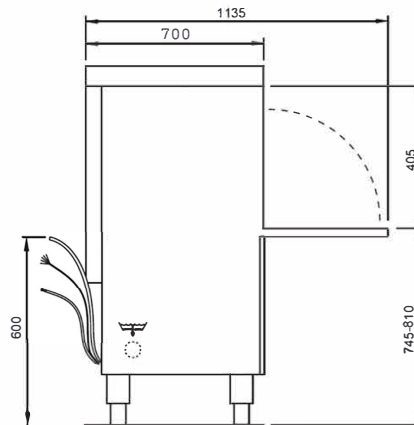
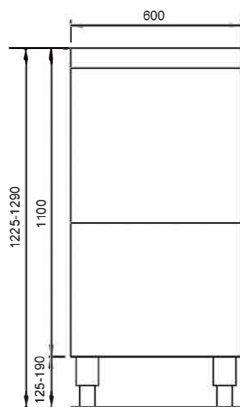


Pot and pan washer double skin 50x60 - 400 V

Model

SAP Code

00014556



Technical data sheet

Technical parameters



Pot and pan washer double skin 50x60 - 400 V

Model

SAP Code

00014556

1. SAP Code:

00014556

2. Net Width [mm]:

600

3. Net Depth [mm]:

700

4. Net Height [mm]:

1290

5. Net Weight [kg]:

71.00

6. Gross Width [mm]:

700

7. Gross depth [mm]:

800

8. Gross Height [mm]:

1250

9. Gross Weight [kg]:

77.00

10. Device type:

Electric unit

11. Control type:

Digital

12. Material:

AISI 304

13. Power electric [kW]:

9.800

14. Loading:

400 V / 3N - 50 Hz

15. Number of programs:

9

16. Door clear height [mm]:

400

17. Inlet pressure [bar]:

2-4

18. Adjustable feet:

Yes

19. Number of skin:

2

20. Self-cleaning cycle:

Yes

21. Boiler capacity [l]:

6.00

22. Boiler power [kW]:

7.000

23. Basin volume [l]:

23

24. Tank power [kW]:

2.100

25. Number of arms for both rinsing and washing:

2

26. Arm connection:

Click-clack - easy removal with one hand

27. Washing arm type:

Rotating trident

28. Washing arm material:

Composite

Technical data sheet

Technical parameters



Pot and pan washer double skin 50x60 - 400 V

Model

SAP Code

00014556

29. Rinsing arm type:

Rotating trident

30. Rinsing arm material:

Composite

31. Deep drawn tank:

Yes

32. Rack support:

Pressed

33. Tank surface strainers:

composite

34. Drain filter:

ArchiMedes - double filtration with overflow discharge ensures only 18% loss of clean water to waste

35. Thermostop:

Yes

36. Boiler thermostat adjust:

Yes

37. Detergent and rinse pump system:

ProDose - accurate dosing with a peristaltic pump

38. Energy Saving system:

EnergySaving - Energy saving system due to lowering the boiler temperature

39. Heating system:

HotWash - System of simultaneous operation of the heating element of the bath and the boiler, reducing the time for starting the next cycle

40. Hot water electric valve:

Yes

41. Rack size [mm]:

500 x 600

42. Display type:

ProScreen - 4 digit display + 2 LED bars

43. USB port:

Yes, for Firmware actualisation

44. Self-diagnostics:

Yes

45. Wash pump type:

two-way - DuoFlow

46. Detergent dispenser:

Yes

47. Rinse aid dispenser:

Yes

48. Water consumption of the washing cycle [l/basket]:

2,4-3,5

49. Washing cycle time [s/basket]:

60 - 720

50. Rinse water temperature [°C]:

80-85

51. Standard equipment for device:

Basket 500 x 600 mm; stainless steel insert for GN is not part of the dishwasher

52. Program ProFessional 2:

Yes

53. Program ProFessional 4:

Yes

54. Program ProFessional 6:

Yes

Technical data sheet

Technical parameters



Pot and pan washer double skin 50x60 - 400 V

Model

SAP Code

00014556

55. Program ProSelf:

Yes

60. Program ProActive 7:

Yes

56. Program ProEco:

Yes

61. Noise of device:

49,0

57. Program ProLong:

Yes

62. Cross-section of conductors CU [mm²]:

2

- Výkon (kW): 9-11 (230 V); 15-19 (400 V)

58. Program ProPlates:

Yes

63. Water supply connection:

3/4"

59. Program ProActive 5:

Yes

64. Diameter nominal:

DN 50